

**saqarTvel os teqnikuri universiteti**

**informatikisa da marTvis sistemebis  
instituti**

**gia surgul aZe**

**struqturuli daprogramebis  
meTodi**



**Tbilisi 2005**

## sar Cevi

1. daprogamebis meTodi, stil i, model i  
(al goriTmi) da ena
2. kompil atorebi da interpretatorebi
3. struqturul i daprogamebis meTodi
- 3.1. struqturul i daprogamebis ZiriTadi  
el ementebi
- 3.2. daprogamebis daRmaval i teqnoi ogia
- 3.3. modul urobis principi
- 3.4. mmarTvel i struqtur ebi
- 3.5. fsevdokodebi
- 3.6. bijuri detal izacia da programul i  
kodis segmentacia
4. kiTxvebi da savarj iSoebi

## 1. daprogramebis metodi, stili, modeli da ena

`metodi~ berznuli sityvaa (methodos) da niSnavs gzas, kvl evis gzas, Teorias. esaa miznis miRwevis xerxi konkretuli amocanis gadawyvetisas, garkveuli wesebis simravlis sistematuri gamoyenebis safuZvel ze.

`programa~, aseve berznulia (program, routine) da gamoxatavs operaciebis Sesrulebis mimdevrobis aRweras winaswar cnobili al goriTnis safuZvel ze.

daprogrameba aris programis Seqmnis procesi. is moicavs programis daproeqtibis, kodirebisa da testirebis etapebs. amgvarad, daprogramebis metodi martvis procesia, romlis drosac iqmneba programuli produqti (programuli paketi).

programis xarisxi da muSaobis efeqturoba damokidebulia rogorc daprogramebis metodze (obieqturi faqtori), aseve daprogramebilis codnaze, gamocdilebasa da temperamentze (subieqturi faqtori). programa SeiZleba asrulebdes Tavis moval eobas, xsnides ama Tu im amocanas, magram igi iyos cudad an kargad Sedgenili. `cudad~ an `kargad~ niSnavs imas, Tu ramdenad gasagebadaa programa dawerili (Sinaarsobrivad), rogoria misi gamosaxvis struqtura anu forma.

daprogramebis procesis ganxil visas gamoyofen oTx Ziritad cnebas: daprogramebis metods, daprogramebis stils, damuSavebis al goriTnis (models) da daprogramebis enas.

**daprogramebis metodi** asaxavs programis Sesrulebis xerxs, teqnologias. magalitad, struqturuli daprogramebaniSnavs programuli paketebis Seqmnas darmavali daproeqtibisa da programebis moduluri principebis gamoyenebit.

arsebobs saxlis aSenebis tradiciuli metodi, dawyebuli sazirkvidan, pirveli, meore da a.S. sartul ebi da bolos, saxuravi. arsebobs meore metodic, sazirkveli, Semdeg saxuravi, zeda sartuli, qveda sartuli da bolos pirveli sartuli.

ra Tqma unda, Senobis agebis an or Sesrul ebas gansxvavebul i teqnoI ogiebi sWirdeba. sabol oo produqti Senobaa, romel sac ar emCneva ra meTodiT aSenda, e.i. meTodi ar emCneva produqts. asevea programaSi. misi wakiTxviT Znel i dasadgeni iqneba, Tu romel i meTodia gamoyenebul i (magal iTad, daRmaval i Tu aRmaval i daproeqtEBis).

is, rac SeiZl eba SevamCnioT programas an Senobas, aris forma, anu gamosaxvis, aRweris stil i. `stil i- berZnul i sityvaa (stylus) da Cxirs niSnavs, romel Tac Zvel ad sanTI is dafebze werdnen (Cxapnidnen).

mSenebl obis stil i: magal iTad, sveticxovel i (me-10 saukune) marTI madidebl uri ekl esiebis stil iTaa agebul i, parizis RvTismSobl is tazari (me-12 saukune) \_ goTuri stil ia (bazil ika), riTac kaTol ikuri ekl esiebi gamoirCeva. protestantul i ekl esia (me-16 saukune) stil iT ar hgavs Tavis winamorbedebs, ara aqvs gumbaTebi, wminda xatebi da qandakebebi da a.S.

stil is saSual ebiT xSirad gansazRvraven mxatvrul i nawarmoebis an sportul i kl ubis xel weras. magal iTad, pikasos stil i (kubizmi, neokl asikuri mimdevroba, me-20 saukune), fexburTSi \_ brazil iuri stil i da a.S. amgvarad, stil ia is, risi SemCnevaca Sesazl ebel i, sxva obieqtEBTan Sedarebis gziT Sesazl ebel ia misi gamorCeva.

**daprogramebis stil i.** amboben, rom damprogramebel s aqvs cudi stil i, Tu is xSirad gamoiyenebs GOTO operators, an monacemTa aRwerisTvis iyenebs iseT simbol oebs da saxel ebs, romel Tac ara aqvT kavSiri SinaarsTan, daniSnul ebasTan.

programa SeiZl eba agebul i iqnes operatorebis gamoyenebiT, maSin igi procedurul i stil isaa (magal iTad, C,Pascal da sxva). Tu programaSi iyeneben mxol od funqciebs, maSin saqme gvaqvs funqciur stil Tan (magal iTad, Lisp). Sedegebis misaRebad programa SeiZl eba agebul i iqnes I ogikuri programebis (wesebis) simravl iT da am wesebis damuSavebisaTvis I ogikuri gamoyvanis

al goriTmebiT. maSin vl aparakobT daprogramebis l ogikur stil ze (magal iTad, Prolog). Tu daprogramebis dros gamoiyeneba obieqtebis asaxvis abstraqtul i xerxi, roml is safuZvel zec isini SeiZl eba gaerTianebul iqnen erT kl asSi da aqvT Sesazl ebl oba gadascen TavianTi Tvisebebi axl ad Seqmnil obieqtebs, maSin saqme gvaqvs obieqtebze orientirebul anu daprogramebis obieqt-orientirebul stil Tan (magal iTad, C++, Delphi da sxva).

erT programaSi Sesazl ebel ia gamoyenebul i iqnes ramdenime stili, maSin aseT enebshybridul s uwodeben. ena miT ufro mZl avria, rac meti stilia masSi realizebul i. aRniSnul sakiTxebs momdevno paragrafebSi ufro detal urad SevexebiT.

davsvaT kiTxva: romeli stilia ukeTesi, romeli stili SevarCioT amocanis gadasawyvetad? swor pasuxs TviT konkretul i amocanis analizi mogvcems. saWiroa dadgindes amocanis mizani, Sinaarsi, ZiriTadi el ementebis nairsaxeoba dabol os, rac mTavaria, \_ am amocanis gadamuSavebis modeli (al goriTmi).

amgvarad, Tu daprogramebis stili programis formas gvaZl evs, gadamuSavebis modeli am formas SinaarsiT avsebs. stili s msgavsad, gadamuSavebis sxvadasxva modeli arsebobs. ganvixil oT zogierTi maTgani.

\_ *gadamuSavebis tradiciul i modeli* fon-neimanis (amerikeli maTematikosi, 1903-1957) manqanis saxel iTaa cnobil i. am manqanis principiT muSaobs TiTqmis dRemde arsebul i yvel a kompiuteri. esaa mimdevrobiTi, bijuri Sesrul eba yovel i operatorisa, romelic cvl is manqanis mdgomareobas. igi fl obs mexsierebas da monacemTa damuSavebis iseT operaciebs, rogoricaa Sedareba, gadacema, SeerTeba, gamoyvana (warmoeba), waSl a da a.S.

\_ *gadamuSavebis funqciuri modeli* igulisxmeba maTematikuri funqciis cneba, romelic gvaZl evs gansazRvris aris cal saxa asaxvas mniSvel obaTa areze. gansazRvrisa da

mniSvnel obaTa areebi arsebobs abstraktul ad (simravl is saxiT), imisgan damoukidebl ad, Tu ra mimdevrobiT airCeva wyvil ebi, roml ebic funqciur damokidebul ebebs asrul ebs. manqanas miwodeba funqciis saxel i da argumentebi, roml is safuZvel ze is ipovis, gadaamuSavebs da gamoscems monacemTa Sesabamis mniSvnel obebs.

– *gadamuSavebis rel aciuri model i.* igul isxmeba maTematikuri damokidebul ebebis, mimarTebis cneba. rel aciebi ganisazRvreba rogorc qvesimravl eebi monacemTa sxvadasxva domenebis dekartul i namravl idan. esaa cxril i striqonebiT (korteJebiT), romel Ta svetebi moTavsebul ia atributTa (vel ebi) saxel ebiT, xol o cxril is striqonisa da svetis gadakveTaze moTavsebul ia monacemis konkretul i mniSvnel oba Sesabamisi domenidan (erTgvarovan monacemTa simravl e). manqanas miwodeba rel aciiis saxel i da argumentebi, magal iTad, mosaZebn atributTa saxel ebi, roml ebic winaswar gansazRvrul predikats, l ogikur pirobas unda akmayofil ebdes. igi amuSavebs am predikats da eZebS rel aciaSi Sesabamis monacemTa striqonebs.

– *mtkicebaTa model i.* igi efuZneba deduqcias da iyenebs l ogikur formul ebs, roml ebic qmnis simravl es aqsiomaTa saxiT. amaTgan mtkicdeba, gamoiyvaneba axal i formul ebi Teoremebis saxiT. mtkicebaTa Teoriis fuZemdebel ia germanel i maTematikosi daviT gil berti (1862-1943), romel mac pirvel ma Semoitana es cneba da gamoiyena maTematikuri Teoriis, kerZod, aqsiomaTa sistemis arawinaaRmdegobriobis dasamtkicebl ad. mtkicebaTa model is gamosayenebl ad manqanas unda SeeZl os pirvel i rigis l ogikuri predikatebis damuSavebis meqanizmis real izeba.

– *probl emaTa gadamwyveti.* igi amuSavebs probl emebis specifikaciebs. probl ema aRiwereba gansazRvrul i formiT, xol o probl emaTa gadamwyveti gamoiyvans misi amoxsnis gzas. xel ovnuri intel eqtis sistemebSi dRemde gamoyenebul aseTi

meqanizmebi orientirebul ia im martivi probl emebis aRsawerad, roml ebic mocemul ia sawyisi situaciebis miznobrivi predikatebisa da dasaSveb operatorTa erTobl iobis bazaze.

rogorc zemoaRweril , aseve sxva saxis damuSavebis model ebis anal izi gviCvenebs, rom umravl esi maTgani maTematikuri model ebia, maT Soris garkveul i wili l ogikur model ebze modis. am sakiTxebis Seswavl a da Semdgomi ganviTareba dResac aqtual ur mecnierul mimarTul ebad iTvl eba, gansakuTrebit ki maTematikuri model ebis semantikuri probl emebis gadawyveta.

Cven gavecaniT daprogramebis meTodis, stil isa da model is cnebebs. davsviT amocana (zogadad), ganvsazRvret misi gadawyvetis gza. SevarCiet daprogramebis meTodi da stil i, movaxdinet amocanis model isa da misi Sesrul ebis al goriTmis formal izeba. dagvrCa am al goriTmis kompiuterSi gadatana da Sedegebis miReba. es sakiTxebi wydeba daprogramebis enebis safuZvel ze.

**daprogramebis enebi** formal uri sistemebia, romel Ta saSual ebit aRiwereba amocanis gadawyvetis al goriTmebi ise, rom Sesazl ebel i xdeba maTi Semdgomi manqanuri gadamuSaveba. amgvarad, daprogramebis ena is instrumentul i saSual ebaa, roml iTac al goriTmi Caiwereba manqanur kodebSi.

yovel enas da, maT Soris, manqanursac, aqvs simbol oebis al fabeti, roml is bazaze aiwyoba enis konstruqciul i el ementebi: operatorebi (daj avSnul sityvaTa erTobl ioba), funqciebi (standartul i da arastandartul i), gamosaxul ebebi da operaciebi (aritmetikul i da l ogikuri), rel aciebi, wesebi da a.S. yovel enaSi real izebul ia am konstruqciul i el ementebis manipul irebis gramatikul i wesebi, monacemTa abstraqtul i struqturebis aRweris saSual ebani, operaciebis, funqciebisa da qveprogramebis Sesrul ebis mimdevrobis marTvis saSual ebani (ganStoebebi, cikl ebi, gadamrTvel ebi, rakursiebi) da a.S.

yovel daprogramebis enas aqvs Tavisi stil i. SeiZl eba erT

enaSi daprogramebis ramdenime stil i iyos real izebul i, amit izrdeba enis simZl avre da moqnil oba. ena xSirad orientirebul ia garkveul i kl asis amocanebis gadawyvetaze, maT abstraqciaze. magal iTad, PROLOG ena l ogikuri daprogramebis amocanebs wyvets, LISP \_ funqciur, C da PASCAL strukturul i daprogramebis karg instrumentebad iTvl eba, C++ da DELPHI procedurul i da deskrifciul i tipis monacemTa manipuli irebis iseTi enebi, rogoricaa al gebrul i ena ISBL (Information System Base Language), SekiTxvebis ena ekranul i redaqtorit QBE (Query By Example), SQL an SEQUEL enebi, roml ebic al gebrul da aRricxvis enebS Soris mdgomi enebia da a.S.

bol o aTvl eul Si gansakuTrebiT ganvitareba da farTo gamoyeneba hpova obieqt-orientirebul i daprogramebis enebma (C++, Delphi), funqciuri (Clos) da l ogikuri daprogramebis (Prolog++) koncefciebiT.

**obieqt-orientirebul i enebi** or jgufad iyofa:

1. daprogramebis enebis gafarToebiT miRebul i hibridul i obieqt-orientirebul i enebi, maT miekuTvneba Simula-67, C++, Clos, Prolog++ da sxv.

2. axl ad Seqmnil i, e.w. sufta obieqt-orientirebul i enebi. magal iTad, Smaltalk-80, Eiffel da a.S

orive jgufs Tavisi dadebiTi da uaryofiti momentebi gaaCnia gamoyenebis Tval sazrisiT. magal iTad, sufta obieqt-orientirebul i enebi kompaqturi da advil ad asaTvisebel ia, magram akl ia daprogramebis universal uri enebis bevri Tviseba (saSual ebebi), gamoyenebis are aseve SezRudul l ia. Tavis mxriv, hibridul i enebi mocul obiT didia, magram maTSi Serwymul ia rogorc ZiriTadi enis (magal iTad C) dadebiTi mxareebi, aseve axal i obieqt-orientirebul i enebis Tvisebebi. es ki ganapirobebs imas, rom C++ SeuZl ia farTo kl asis amocanebis gadaWra. igi yovel gvare gadaprogramebis gareSe TiTqmis mTI ianad amuSavebs im arsebul sistemebSac, roml ebic C-zea daweril i mis Seqmnamde.

kompiuterul i teqnologiis Semdgonma ganviTarebam, axal i Taobis manqanebis (Pentium, 686 procesorebis bazaze) da Super-VGA monitorebis Seqmnam dasabami misca mZl avri grafikul i saSual ebebis ganviTarebas. daiZra axal i tal Ra daprogramebis istoriaSi: Visual-Basic, Borland-C++Builder(Delphi), Oracle da a.S. viTardeba daprogramebis inJineria da axal -axal siurprizebs umzadebs kompiuterTa Tayvanismceml ebs.

## 2. kompil atorebi da interpretatorebi

arsebobs daprogramebis enebis farTo speqtri. isini gansxvavdeba erTmaneTisagan sintaqsuri, semantikuri da pragmatul i aspektebiT. pirvel Si igulisxmeba enis sintaqsi da konstruqciebi (wesebi), meoreSi informaciis Sinaarsis asaxvis done, mesameSi ki \_ misi gamoyenebis daniSnul ebis sfero.

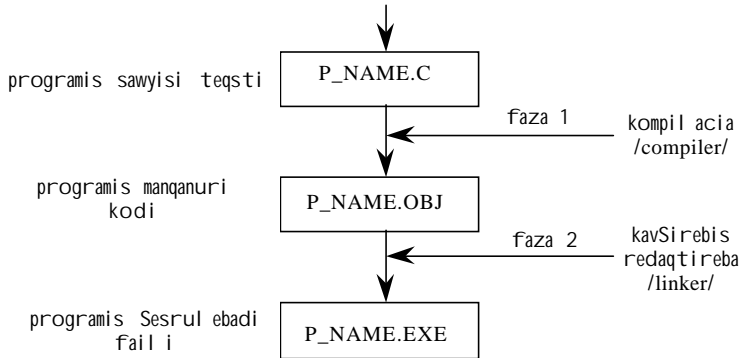
kompiuterul i enebi pirobiTad SeiZl eba mowesrigebul iqnes `qvemodan-zemoT~: manqanuri (asemblerul i) enebi, daprogramebis universal uri enebi, monacemTa bazebis marTvis sistemebis enebi, maRal i donis (sal aparako, bunebriv enasTan axl os mdgomi) enebi.

gramatikul i da strukturul i konstruqciebiT enebi TavSdeba sistemur programul paketebSi, romel Tac samuSao instrumentul i saSual eba ewodeba. maT safuZvel ze iqmneba samuSao garemo anu momxmarebl is interfeisi. sistemuri programul i paketi kompil atori an interpretatoria. dabal i donisa da universal uri enebi metwil ad pirvel s miekuTvneba, monacemTa bazebisa da maRal i donis enebi ki \_ meores. arsebobs gamonakl isebic.

ganvixil oT kompil atorsa da interpretators Soris ZiriTadi gansxvaveba. zogadad, programis momzadeba da misi manqanaze Sesrul eba sam ZiriTad etaps gaivl is (ix. nax.1.1):

sawyisi teqstis, obieqturi (manqanuri) kodis da Sestrul ebadi fail is.

programis sawyis teqsts, romel ic am enis operatorebisa



#### nax.1.1. programis kompilaciis etapebi (C--enis magaliTze)

da dasaSvebi konstruqciebisagan Sedgeba, wers adamiani da miawvdis kompiuterSi am enis kompilators (magaliTad, tc.exe; bc.exe) an interpretators (magaliTad, qbasic.exe, foxpro.exe). sawyisi teqsti umeteswilad inglisi enis terminebiT da amocanaSi gamoyenebuli formaluri konstruqciebiTaa dakompiletebuli. aseTi teqsti manqanisaTvis gaugebaria. amitomac mas swirdeba `Tarjimani~. esaa swored kompilaciis faza: programis sawyisi teqstis sintaqsuris Semowmeba (Secdomebis analiziT) da Sesabamisi manqanuri kodis formireba (\*.obj-gafarToebiT). kodebSi gamoxatul i teqsti manqanisaTvis misaRebia da igi aanalizebs, Tu ra unda programamisan, anu ra saxis resursebs Txoul obs igi manqanuri mexsierebisa da programuli standartuli bibliotekidan. me-2 fazaze, kavSirebis redaqtori Cveni programis manqanur kods miuerTebis mistvis saWiro sxva qveprogramebs da funqciebs. amis Semdeg iqmneba Sestrul ebadi faili (\*.exe-gafarToebiT).

Tu kompilatorTan gvaqvs saqme, maSin es exe-faili Tavsdება

moce mul direqtoriaSi da misi gamoyeneba SeiZI eba mra valjeradad (wina etapebis gauvl el ad). programis Sesrul ebis procesi swrafia.

interpretatoris SemTxvevaSi orive faza srul deba, magram ar iqmneba exe-fail i. programa erTxel Sesrul deba. Tu xel meored gvinda avamuSaoT programa, isev unda gamoviZaxoT misi sawyisi teqsti da CavataroT kompilacia da linkireba. es ki, ra Tqma unda, anel ebs programis Sesrul ebisa da Sedegebis miRebis process.

kompilirebul i exe-fail i mobil uria, misi Sesrul eba SeiZI eba sxva Tavsebad manqanebzeC kompilatoris gareSec. interpretatorze Sesrul ebul i programa ki moiTxovs Tavisi sistemuri interpretatoris arsebobasac, rac araa efeqturi.

daprogramebis universal uri ena `C~ (`C++~) miekuTvneba swored kompilatorTa ojaxs. misi gamoyenebis efeqturobis damadasturebel ia is faqti, rom TviT qsel uri operaciul i sistema UNIX, operaciul i sistema Windows, Microsoft-is paketebi da sxva dawerilia am enaze. daprogramebis enebi Java da Prolog ki miekuTvneba interpretatorebs. maTi `deda--enebia Sesabamisad C++ da Pascal.

### **3. struqturuli daprogramebis meTodi**

struqturuli midgoma daprogramebis erT-erTi meTodiologiuri safuZvelia, romelic 70-iani wlebis dasawyisidan iRebs saTaves. misi mizania `daprogramebis procesimarTva kompaqturi, adamianisTvis gasagebi da saimedod momuSave programul i model ebis asagebad. daprogramebis procesis sworad organizeba sagraZnoblad zrdis programistis Sromis nayofierebas da amcirebs misi danergvis dros.

struqturuli daprogramebis ideologia erT-erTi mTavari komponentia daprogramebis obieqt-orientirebul i enebisaTvis.

daprogramebis procesi ramdenime etapisagan Sedgeba:

1. **amocanis dasma**. es Zal ze sapaSuxismgebl o etapia, vinaidan aq unda Camoyal ibdes amocana, romel Sic zustad iqneba asaxul i ZiriTadi mizani, sawyisi pirobebi, monacemebi da sabol oo Sedegebi. amasTanave, unda ganisazRvros amocanis gadawyvetis model i, misi Sesrul ebis al goritmi da vadebi.

2. **daproeqteba**. am etapze xorciel deba dasmul i amocanis gadawyvetis sirTul is Sefaseba. mis safuZvel ze daproeqteba momaval i programis cal keul i modul ebi (aq amocanis dekompozicia anu misi daSl a, gamartiveba igul isxmeba) da maTi urTierTkavSirebis sqemebi. am etapze bol o punqts modul ebis gamWol i kontrol i warmoadgens. gamWol i kontrol is arsi mdgomareobs Secdomebis aRmoCenaSi daproeqtebis etapis adreul stadiaze (vidre ar dawyebul a daprogrameba).

3. **kodireba**. esaa daprogrameba romel ime enaze, anu modul ebisa da mTI iani sistemis aRwera manqanisaTvis gasageb enaze, kodebiT.

4. **testireba**. am etapze mowmdeba programis unari sakontrol o monacemebze. sakontrol oa monacemebi, romel Ta gadamuSavebis Sedegebi winaswar cnobil ia. programam, romel ic kodirebul iqna manqanaze, unda mogvces igive Sedegebi. Tu Sedegebi aradamakmayofil ebel ia, maSin mizezebi unda veZeboT daprogramebis procesis wina etapebze.

struqturul i daprogramebis meTodis arsi swored isaa, rom sagraZnobl ad Seamciros zemoaRweril i etapebis cikli uri gamoyenebis raodenoba da programul i produqti Cabardes gansazRvrul vadebSi.

### 3.1. struqturuli daprogramebis ZiriTadi el ementebi

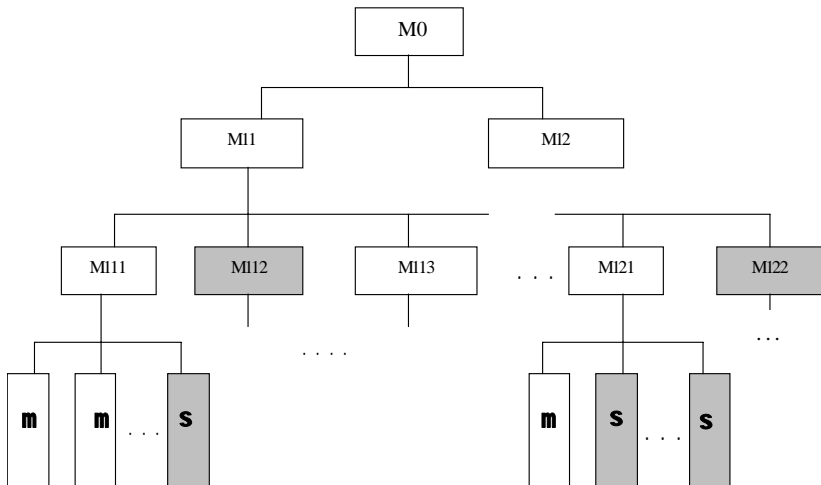
struqturuli daprogrameba sami ZiriTadi nawilisagan Sedgeba:

- \_ daRmavali teqnoLogia;
- \_ struqturuli daprogrameba;
- \_ gamWoli struqturuli kontrol i.

literaturaSi xSirad daRmavali struqturuli daprogramebasac moixsenieben. am sakiTxs Semdeg paragrafSi davubrundebiT, axla ki gamovkveToT struqturuli daprogramebis ZiriTadi el ementebi.

programuli produqti (paketi) aris ierarqiu ad struqturirebuli modulis erToblioba (ix. nax. 3.1).

ierarqiu ad organizebis principi rTuli amocanis (programis) dekompoziciis saSual ebaa SedarebiT mcire zomis modul ebad. magaliTad, M0 mTavari programaa, M11 da M12 qveprogramebis ierarqii me-2 doneze da a.S. m1, m2, ... programuli moduli eba, roml ebic ierarqii yvel aze qveda doneze iqmneba.



nax. 3.1. programuli paketis ierarqiu ad struqturirebis zogadi sqema, m<sub>1</sub> qveda donis moduli ebi, s<sub>1</sub> saxSobebi

s - saxSobi `formal uri- programul i modul ia, romel sac konkretul i Sinaarsi jer kidev miRebul i ara aqvs. m, da s, modul ebiT xdeba zeda donis programul i (agregirebul i) modul ebis ageba.

modul ebad dayofis sakiTxi damproeqtebl is funqciaa da efeqturobac mis gamocdil ebazea damokidebul i.

daprogramebis dros mniSvnel ovan amocnad iTvl eba programis Sesrul ebis procesis efeqturi ganxorciel eba, roml is drosac dacul ia daprogramebis kargi stil i. kl asikur literaturaSi am dros operator GOTO-s moixsenieben. arasasurvel ad iTvl eba am operatoris gamoyeneba, Tumca, SeiZl eba arastruqturirebul i programac daiweros GOTO-s gareSe ise, rogorc struqturirebul i GOTO-ebiT. amgvarad, upi robo gadasavl el is \_ GOTO-s gamoyeneba iTvl eba marTvis sqemebis usistemo konstruirebis saSual ebad, roml is drosac programa kargavs aRqmadobas da marTvadobas.

mis nacvl ad gamoyenebul unda iqnes iseTi moqnili da mZl avri saSual ebani, rogoricaa pirobiTi gadasvl is (ganStoebis) bl oki (if else.....), cikl ebis organizebis bl okebi (while, case, do case ...) da a.S.

struqturul i daprogramebis erT-erTi ZiriTadi el ementia programis cvl adebisa da konstantebis SerCeva. programis aRqmadoba metia, roca masSi Sinaarsobrivi saxel ebi gamoiyeneba. yovel programas, qveprogramas, funqcias, cvl adebs, konstantebis, masivebs da sxva agregatul monacemebs sasurvel ia hqondes semantikuri saxel ebi, roml ebSic asaxul i iqneba maTi daniSnul eba, funqcia.

daprogramebis karg stil ad SeiZl eba CavTval oT programaSi Seweul i abzacebis, cariel i strigonebisa da komentarebis gamoyeneba. yovel ive es xel s uwyobs programis kiTxvis procesSi programistis mxedvel obiTi da gonebrivi resursebis efeqtur gamoyenebas.

### 3.2. daprogramebis daRmaval i teqno logia

davubrundeT 3.1 naxazze warmodgenil i programul i paketis zogad sqemas. rogorc aRvniSneT, igi modul ebis ierarqiul ad mowesrigebul i erTobl iobaa. daprogramebis teqno logia aris meTodi da kompiuterze realizaciis instrumentul i saSual eba (daprogramebis ena).

daRmaval i teqno logia niSnavs, rom programul i modul ebi unda damuSavdes zemodan qvemoT. am dros qveda doneebze gamoiyeneba saxSobebi. saxSobic programul i modul ia, oRond igi droebiT cariel ia, SeiZl eba masSi mxol od Sesvl a da gamosvl a. droTa ganmavl obaSi saxSobebi Seicvl eba real uri programul i modul ebiT.

arsebobs daprogramebis tradiciul i anu aRmaval i teqno logia, roml is drosac sistemis daproeqteba xdeba zemodan qvemoT, xol o programul i modul ebis daprogrameba qvemodan zemoT, magal iTad, 3.1 naxazisTvis damuSavdeba yvel aze qveda donis programaTa modul ebi, Semdeg zemoTa da a.S.

probl ema mdgomareobs SemdegSi. davuSvaT, rom qveda donis yvel a programul i modul i funqcionirebs. zeda donis modul is daprogramebis dros gamoiyeneba qveda donis modul ebi. xSirad aRmoCndeba, rom es modul ebi ver muSaobs erTmaneTTan. e.i. cal -cal ke yvel a muSaobs, erTad ki araa. es iwvevs programis daproeqtebisa da kodirebis etapebis gameorebas, rac, ra Tqma unda, Sromatevadi da arasasurvei i procesia. rac ufro rTul i da didia sistema, da rac meti programisti monawil eobs misi modul ebis kodirebaSi, miT metia Sansi arafunqcionirebadi programul i paketis miRebisa.

daprogramebis daRmaval i teqno logia ki yovel ive amas iTval iswinebs, vinaidan igi programul modul ebs aproeqtebs da akodirebs zemodan qvemoT. Tavidan xdeba sistemis funqciuri specifikatorebisa da misi Semadgenel i programul i modul ebis Tavsebadobis pirobobis ganzazRvra. ierarqiis zeda donidan qedaze Casvl a ise ar xdeba, rom ar muSaobdes zeda

donis modul i. swored misi muSaobis uzrunvel sayofad (Tu mas sWirdeba kavSiri qveda donis modul ebTan) qmnian droebiT modul ebs anu saxSobebis. aseT meTods `CanCqers- adareben, sadac qvemoT Camoyol a gacil ebiT advil ia, vidre zemoT ayol a.

modul ebisa da saxSobebis daprogramebis rigiToba ganisazRvreba dagegmvis etapze. aq ganixil aven ierarqiul , operaciul da kombinirebul midgomas.

ierarqiul i midgomiT dagegmva iTval iswinebs modul ebis daprogramebas da testirebas ierarqiul i ganl agebis mixedviT. j er iqmneba erTi donis yvel a modul i, Semdeg xdeba gadasvl a qveda doneze. SesaZl ebel ia agreTve ierarqis j er erTi Stos modul ebis Seqmna mTI ianad, Semdeg gadasvl a meoreze da a.S. ierarqiul i dagegmvis gamoyenebisas sayuradReboa monacemTa Tavsebadobis uzrunvel yofa, roml is gareSec garkveul i probl emebi iqmneba modul ebs Soris monacemTa gacvl is dros.

operaciul i midgoma gul isxmobs modul ebis damuSavebas maTi Sesrul ebis mimdevrobis mixedviT mza programis amuSavebis dros. es ki damokidebul ia sawyisi monacemebis Semadgenl obaze da ganisazRvreba mgegmvavis mier. operaciul i midgomis dadebiTi mxarea monacemTa Tavsebadobis probl emebis iol i gadawyveta (vidre ierarqiul is SemTxvevaSi), vinaidan modul ebi Sesrul ebis mimdevrobiT iqmneba da monacemTa gadacemac am mimdevrobas emorCil eba. nakl ad SeiZl eba CaiTval os modul ebis Sesrul ebis mkacri rigiTobis arseboba, roca romel ime modul i ver damuSavdeba manam, sanam mis win mdgomebi ar Seiqmneba. aman SeiZl eba gazardos mTI iani sistemis Seqmnis vadebi.

kombinirebul i midgoma aerTianebs ierarqiul i da operaciul i midgomebis SesaZl ebl obebs da ukeTes Sedegsac iZl eva. amocana aratrivial uri da mraval variantul ia, amitomac misi zusti gadawyveta damokidebul ia mgegmvavis codnasa da praqtikul gamocdil ebaze.

programul i paketis real izaciis etapi ramdenime bij isagan Sedgeba.upirvel rigSi, mzaddeba monacemebi testirebisaTvis, romel Ta gamoyenebiTac unda Sefasdes daprogramebul i

modul ebisa da mTI iani sistemis Sromis unari. Semdgom bij ze iqmneba programis ZiriTadi birTvi (mTavari modul i), bol os ki \_ modul ebi da saxSobebi, roml ebic uzrunvel yofs testuri monacemebis Semowmebas.

daRmaval i struqturul i daprogramebis meTodis gamoyenebisas SesaZl ebel ia programul i paketis detal uri daproeqtEBis, kodirebis, testirebisa da dokumentirebis procesebis paral el uri Sesrul eba, rac sabol oo j amSi uzrunvel yofs sistemis daprogramebis vadebis dacvas.

### **3.3. modul ur obis p r i n c i p i**

rTul i sistemebis dasaproeqtEBl ad gamoiyeneba struqturul i daRmaval i daprogramebis teqno logia. sistemis sirTul es amcireben misi dekompoziciis gziT. am dros miReba ramdenime qvesistema, romel Ta Semdgomi analizi da Sesasrul ebel i funqciebis mixedviT dayofa kidev ufro amartivebs da cxadyofs programul i paketis agebis process. erTi an ramdenime funqcia unda iqnes real izebul i programul i modul is saxiT (zogjer mas qveprogramas uwodeben). modul s aqvs saxeli, erTi Sesasvl eli da erTi gamosasvl eli. mas miwodeba sawyisi monacemebi, romel Tac gadaamuSvebs funqciuri al goritmis mixedviT da izl eva Sedegebs.

modul i programul i paketis ZiriTadi komponentia, roml is damuSaveba da testireba SesaZl ebel ia damoukidebl ad. Tu programul i paketi didia (Sedgeba mraval i modul isagan), maSin izrdeba modul TaSorisi urTierTkavSirebis organizaciis sirTul e, rac gaTval iswinebul unda iqnes sistemis daproeqtEBis procesis mimdinareobisas.

3.1 naxazze warmodgenil i iyo programul i paketis modul ebad dayofis zogadi sqema. yvel aze zeda doneze mdgomi modul i mTavari modul ia, anu is programa, romel ic iwyebs muSaobas kompiuterSi konkretul i amocanis gaSvebisas. mTavari (an zeda donis) modul i ukavSirdeba qveda donis modul ebs, gadascems maT monacemebs da Rebul obs Sedegebs maTgan.

modul urobis proncipis gamoyeneba xasiaTdeba Semdegi upiratesobiT:

\_ didi programul i paketi SeiZl eba daiweros erTdroul ad ramdenime programistis mier, rac sagrZnobl ad Seamcirebs Sesrul ebis vadebs;

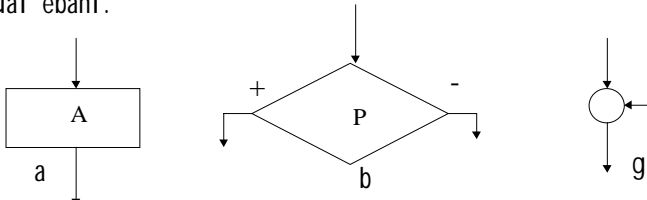
\_ SesaZl ebel ia programul i (standartul i) bibliotekebis Seqmna;

\_ sistemebis daproeqtebisa da programul i realizaciis martvis procesisatvis arsebobs meti bunebrivi sakontrol o wertil ebi, rac aadvil ebs mis testirebas;

\_ programul i paketis ganaxlebisatvis mcire dro da resursebia saWiro, vinaidan modifikacia Seexeba ara mTlian sistemas, aramed mis calkeul modul ebs. modifikaciaSi vguL isxmobT axal i modul is (amocanis) damatebas, Zvel is Secvl as an amoSl as. ukanasknel SemTxvevaSi gansakuTrebuli yuradReba unda mieqces modul TSortisi kavSirebis SenarCunebas.

### 3.4. მართვითი სტრუქტურები

პროგრამულ მოდულში ნებისმიერი ლოგიკური ამოცანის რეალიზება შეიძლება ისეთი სტრუქტურებით, როგორცაა მიმდევრობა, განსტობა და ციკლი (განმეორება). არასტრუქტურული პროგრამის სტრუქტურული გადასაყვანად, ელემენტების სწორად ორგანიზება საჭიროა. 3.2 ნახაზზე ნაჩვენებია მათი გრაფიკული გამოსახვის საშუალებები.

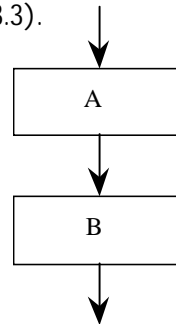


ნახ.3.2. დამუშავების ბლოკი (a), შემოწმების ბლოკი (b), სერვის ბლოკი (g)

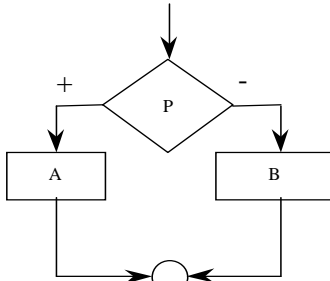
A შეიძლება იყოს პროგრამის ოპერატორი, სხვა პროგრამის გამოწვევის ფუნქცია ან ქვეპროგრამა; P შემოწმების პრედიკატი, ანუ ლოგიკური პირობა. '+' ნიშნავს True (წესდების), ხოლო '-' ნიშნავს False (არაწესდების). შემოწმების ბლოკი ყოველთვის ერთი შესაძლებლობის და ორი გამოსავლის აქვს. სერვის კვანძის მნიშვნელობა, სადაც თავს იყრის ორი ან მეტი შესაძლებლობის და ერთი გამოსავალი. აგრეთვე გარდაცმნიშვნელობის პროცესი არ სრულდება. ნახაზზე ყველაზე განმარტებული მაგალითები, რომლებიც ბლოკ-სქემის პროცესების მართვის მიმართულია დასაშვანებია (ნახ.3.3).

ამ საბაზო ელემენტების საფუძველზე შეიძლება წარმოადგინოთ სტრუქტურული დაპროგრამების ზირითადი მართვითი სტრუქტურების სქემები (იხ. ნახ. 3.4-3.8).

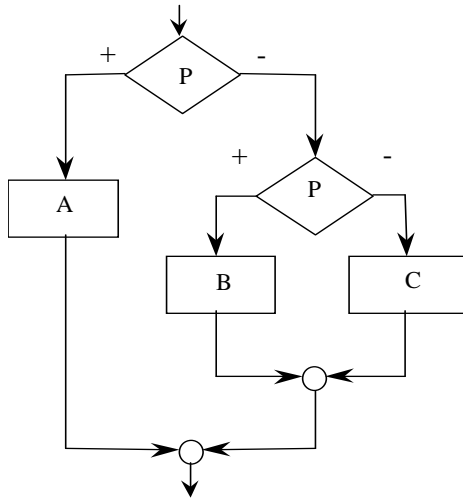
3.6 (a) ნახაზზე არის **Tu...**, **მაშინ** ტიპის ციკლი, რომელიც ჯერ მომდებარე P-პრედიკატის წესდებითაა, ხოლო შემდეგ სრულდება ან A პროცედურა (Tu +) ან ციკლიდან გამოსვლა (Tu -).



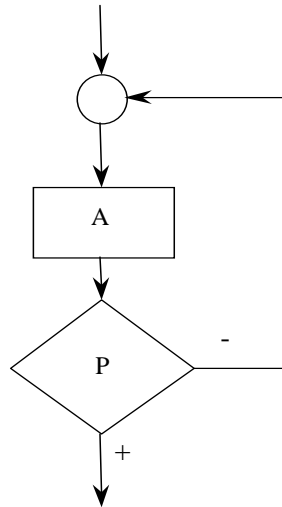
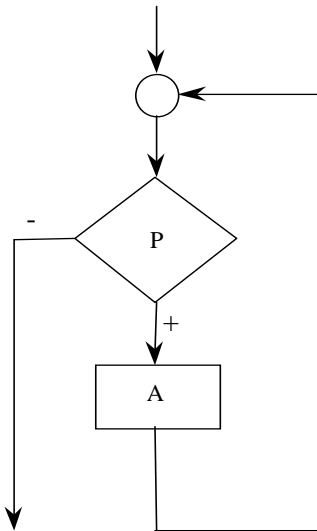
ნახ.3.3. მიმდევრობა



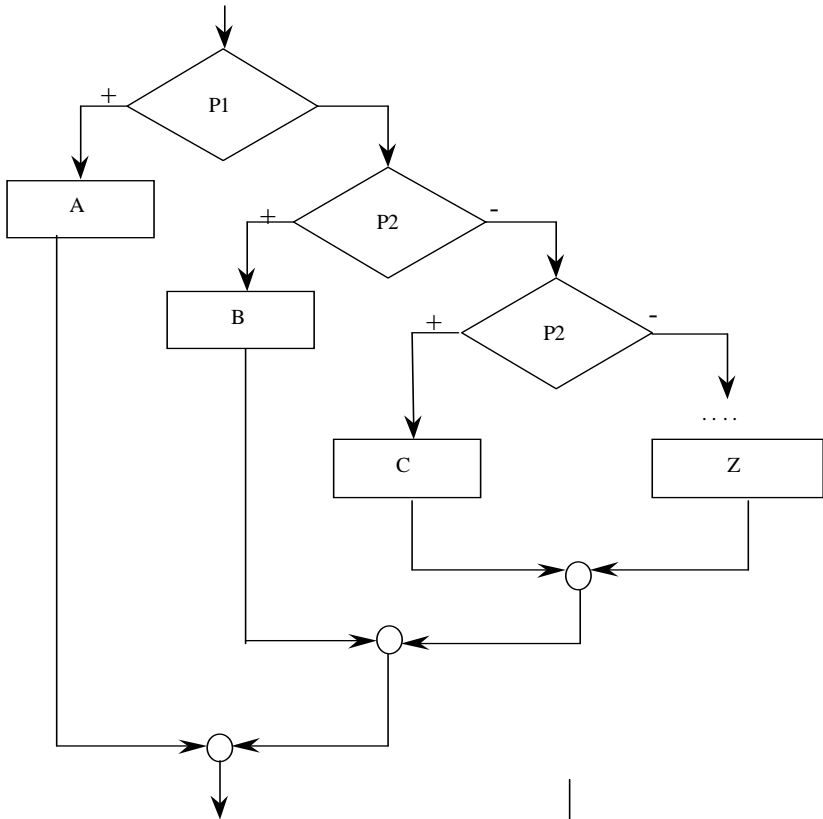
max.3.4. ganStoeba  
(Tu ..., maSin ...)



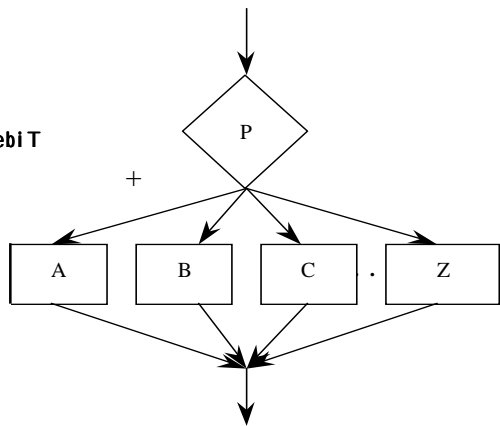
max.3.5. Cal agebul i struqtura  
ganStoebiT



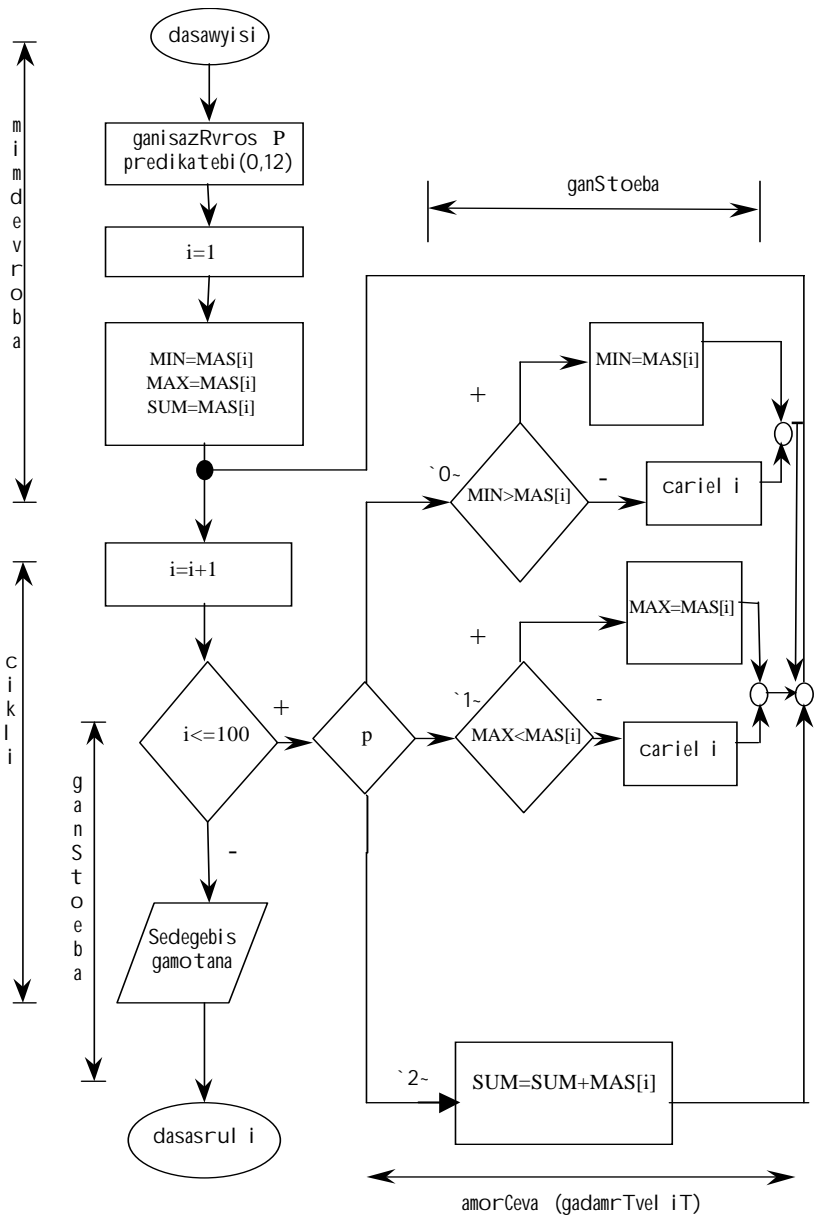
max.3.6. cikl ebi A proceduris Sesrul ebiT P predikatis winaswari  
(a) da Sendgomi (b) SenowmebiT



nax.3.7. amorCeva ganStoebiT  
(Tu..., maSin.....)



nax.3.8. amorCeva gadamrTvel iT



max.3.9. struqturuli blok-sqema

3.6-b naxazze pirvel ad srul deba A procedura, Semdeg mowmdeba predikati. am or struqturas Soris is gansxvavebaa, rom a-Si SeiZl eba A saerTod ar Sestrul des, xol o b-Si erTxel mainc Sestrul deba aucil ebl ad.

3.7 da 3.8 naxazebze warmodgenil ia amorCevis struqturul i sqemebi. orive erTsa da imave Sedegs iZl eva. pirvel Si real izebul ia (Tu ... , maSin...) konstruqciis Cal agebul i struqturebi, meoreSi Tvisebrivad axal i el ementebia Semotani i gadamrTvel is (switch) saxiT. programul modul ebSi, roml ebSic bevria Cal agebul i struqturebi (magal iTad, menius tipis), umj obesia gadamrTvel is gamoyeneba. programa gasagebi, kompaqturi da efeqturicaa.

ganvixil oT konkretul i magal iTi im bl ok-sqemis agebiT, romel ic moicavs zemoaRniShul struqturul el ementebis. davuSvaT, gvaqvs 100 namdvil i ricxvis masivi mas[100]. programam unda moZebnos am ricxvebidan min-minimumi (Tu predikati  $p=0$ ), max-maqsimumi (Tu  $p=1$ ), an yvel a ricxvis j ami sum (Tu  $p=2$ ). 1.10 naxazze mocemul ia es sqema.

### 3.5. f sevdokodebi

fsevdokodebi aris programis l ogikis asaxvis saSual eba, romel ic SeiZl eba gamoyenebul i iqnes bl ok-sqemis nacvl ad. igi bunebrivsa da manqanurs Soris mdgomi formal uri enaa, ar moiTxovs daprogramebis konkretul i enis sintaqsis asaxvas. masSi gamoiyeneba wina paragrafSi aRweril i mmarTvel i struqturebi da striqonebis Caweris safexurebrivi abzacebi.

fsevdokodi iqmneba daprogramebamde da masSi asaxul ia programis muSaobis l ogika. ganvixil oT fsevdokodis magal iTi 3.9 naxazze mocemul i bl ok-sqemisaTvis:

### **programis dasawylsi**

100-el ementian masivSi sawylsi mniSvnel obebis Setana, qveamocanis  
reJimis predikatis mniSvnel obis gansazRvra: P-kodi, indeqsi i=1  
min, max da sum cvl adebze masivis pirveli el ementis  
mniSvnel obis miniWebi

ci kl i -sanam i<=100

amor Ceva P-kodi

SemT xveva 0

Tu min > masivis el ementze

maSi n min=masivis el ementi

ar ada

carie l i operatori

Tu\_dasasr ul i

SemT xveva 1

Tu max < masivis el ementze

maSi n max=masivis el ementi

ar ada

carie l i operatori

Tu\_dasasr ul i

SemT xveva 2

sum=sum + masivis el ementi

amor Cevi s\_dasasr ul i

indeqsis gazrda i=i+1

ci kl i s-dasasr ul i

Sedegebis gamobeWdva

**programis dasasrul i**

**nax.3.10. fsevdokodis magal ITI**

### 3.6. bij uri detal izacia da programul i kodi s segmentacia

daRmaval i struqturul i daprogramebis teqnol ogia iTval iswinebs programul i paketis daproeqtetebis etapze mis dayofas funqciur modul ebad da manqanaze daprogramebas zemodan-qvemoT. Semadgenel i funqciebis sirtul isa da maTi Sesrul ebis Sinagani l ogikis mixedviT programul i modul ebi SeiZl eba kvl avac dayofil iqnas ufro detal ur nawil ebad.

amgvarad, bij uri detal izacia iteraciul i procesia, romel ic programul i modul is Semdgom dekompozicias eTanadeba. iteraciis yovel momdevno bij ze modul is funqciebis ufro detal uri siRmiseul i sakiTxebi ganixil eba, roml ebic pirvel bij ze ar ganixil eboda. bij ebis raodenoba damokidebul ia konkretul amocanaze, romel ic programul modul Si aisaxeba.

bij uri detal izacia aRiwereba fsevdokodis saSual ebiT. pirvel bij ze igi zogadi xasiaTisaa, Semdgom da bol o bij ebze ki TandaTan uaxl ovdeba daprogramebis enis winadadebebs (operatorebs), rac iteraciis procesis damTavrebis mauwyebel ia.

Tu programul i modul ebi didia, isini SeiZl eba daiyos segmentebad. segmenti aris modul is l ogikuri an fizikuri nawil i. l ogikurad igi modul is funqciis qvefunqciaa. fizikurad segmenti SemoisazRvreba programis sawyisi teqstis striqonebis im raodenobiT, roml ebic erT sabeWd gverdze Tavsdaba (daaxl oebiT 50-60 striqoni).

amgvarad segmentacia programis l istingis moxerxebul i organizebis saSual ebaa, esaa programis zemodan-qvemoT daproeqteba modul ebis Seqmnis bol o stadiaze.

#### 4. ki Txvebi da savarj i Soebi

1. ra aris daprogramebis meTodi, stil i da ena ?
2. ras niSnavs struqturul i daprogrameba ?
3. ras warmoadgens gadamuSavebis tradiciul i model i ?
4. ras warmoadgens gadamuSavebis funqciuri model i ?
5. ras warmoadgens gadamuSavebis rel aciuri model i ?
6. ras warmoadgens gadamuSavebis mtkicebaTa model i ?
7. ras warmoadgens probl emaTa gadamwyveti ?
8. ra aris modul uri principi ?
9. raSi mdgomareobs daRmaval i teqnoLogiis koncefcia ?
10. ras warmoadgens mmarTvel i struqturebi ?
11. axseniT cikli uri da ganStoebiTi procesebi struqturul i bl ok-sqemis gamoyenebiT.
12. ra aris bijuri detal izacia da programul i kodis segmentacia ?
13. ra aris saxSobebi ?
14. ras warmoadgens fsevdokodebi ?
15. ra aris kompil atori da interpretatori ?
16. axseniT kompil aciisa da l inkirebis procesebi.
17. struqturul i daprogramebis meTodis gamoyenebiT Seadginet `supermarketis- programul i paketis SemuSavebis gegma. aRwereT sistemis struqtura da misi real izacii- saTvis saWiro resursebi.

## **I i t e r a t u r a:**

1. გოგიჭაიშვილი, სურგულაძე, სონია. დაპროგრამების მეთოდები (C,C++). სტუ, 1997.
2. ბოთე, სურგულაძე და სხვ. თანამედროვე პროგრამული პლატფორმები და ენები. სტუ, 2003.
3. Booch G., Jacobson I., Rumbaugh J. Unified Modeling Language for Object-Oriented Development. Rational Software Corporation, Santa Clara, 2004.
4. გ. სურგულაძე. სტრუქტურული დაპროგრამების მეთოდი. სტუ, თბილისი, 2005.